

STAINLESS STEEL WORKTABLES

EECF1-SERIES — ENCLOSED WORKTABLE W/ BACKSPLASH, UNDERSHELF & CASTERS

PROJECT#: _____

ITEM# _____

MODEL# _____

SPECIFICATIONS:

ECONOMY— EECF1-Series: 400 Series Stainless Top, 400 Series Stainless Body & 400 Series Stainless Undershelf

- TOP:** 16 GA.
400 Series Stainless
- SHELF:** 18 GA.
400 Series Stainless
- BODY:** 20 GA.
400 Series Stainless
- LEGS:** 1 1/2" Square
Tubular Stainless Steel

STANDARD— SECF1-Series: 300 Series Stainless Top, 300 Series Stainless Body & 300 Series Stainless Undershelf

- TOP:** 16 GA.
300 Series Stainless
- SHELF:** 18 GA.
300 Series Stainless
- BODY:** 20 GA.
300 Series Stainless
- LEGS:** 1 1/2" Square
Tubular Stainless Steel

HEAVY DUTY— HECF1-Series: 300 Series Stainless Top, 300 Series Stainless Body & 300 Series Stainless Undershelf

- TOP:** 14 GA.
300 Series Stainless
- SHELF:** 16 GA.
300 Series Stainless
- BODY:** 18 GA.
300 Series Stainless
- LEGS:** 1 1/2" Square
Tubular Stainless Steel

CONSTRUCTION:

- ◆ All Table Connection Points Fully Welded for Maximum Rigidity and Long Life
- ◆ Sound Deadening Between Top and Reinforcing Channel
- ◆ Offsets on Body Ends for Flush Fit
- ◆ S/S Undershelf Welded to Legs
- ◆ Table is Polished to #3 Finish
- ◆ Working Height 35" to 36 1/4"
- ◆ Casters Rated at 250 Lbs. Each.



○ Amtekco Industries - Columbus, OH —Phone: (800) 336-4677

○ N. Wasserstrom & Sons - Columbus, OH —Phone: (800) 444-4697

○ DCS IV - Peoria, AZ—Phone: (800) 592-3274

○ GEN III - Fountain Inn, SC—Phone: (800)673-3339

○ GKS - Garland, TX—Phone (972) 485-4579

SPECIFICATIONS SUBJECT TO CHANGE WITHOUT NOTICE 01/09

ECONOMY - EECF1 - SERIES						
24" WIDE	QTY	30" WIDE	QTY	36" WIDE	QTY	LENGTH (INCHES)
EECF1-2424		EECF1-3024		EECF1-3624		24
EECF1-2430		EECF1-3030		EECF1-3630		30
EECF1-2436		EECF1-3036		EECF1-3636		36
EECF1-2442		EECF1-3042		EECF1-3642		42
EECF1-2448		EECF1-3048		EECF1-3648		48
EECF1-2454		EECF1-3054		EECF1-3654		54
EECF1-2460		EECF1-3060		EECF1-3660		60
EECF1-2466		EECF1-3066		EECF1-3666		66
EECF1-2472		EECF1-3072		EECF1-3672		72
EECF1-2478		EECF1-3078		EECF1-3678		78
EECF1-2484		EECF1-3084		EECF1-3684		84
EECF1-2490		EECF1-3090		EECF1-3690		90
EECF1-2496		EECF1-3096		EECF1-3696		96
EECF1-24102		EECF1-30102		EECF1-36102		102
EECF1-24108		EECF1-30108		EECF1-36108		108
EECF1-24114		EECF1-30114		EECF1-36114		114
EECF1-24120		EECF1-30120		EECF1-36120		120

STANDARD - SECF1 - SERIES						
24" WIDE	QTY	30" WIDE	QTY	36" WIDE	QTY	LENGTH (INCHES)
SECF1-2424		SECF1-3024		SECF1-3624		24
SECF1-2430		SECF1-3030		SECF1-3630		30
SECF1-2436		SECF1-3036		SECF1-3636		36
SECF1-2442		SECF1-3042		SECF1-3642		42
SECF1-2448		SECF1-3048		SECF1-3648		48
SECF1-2454		SECF1-3054		SECF1-3654		54
SECF1-2460		SECF1-3060		SECF1-3660		60
SECF1-2466		SECF1-3066		SECF1-3666		66
SECF1-2472		SECF1-3072		SECF1-3672		72
SECF1-2478		SECF1-3078		SECF1-3678		78
SECF1-2484		SECF1-3084		SECF1-3684		84
SECF1-2490		SECF1-3090		SECF1-3690		90
SECF1-2496		SECF1-3096		SECF1-3696		96
SECF1-24102		SECF1-30102		SECF1-36102		102
SECF1-24108		SECF1-30108		SECF1-36108		108
SECF1-24114		SECF1-30114		SECF1-36114		114
SECF1-24120		SECF1-30120		SECF1-36120		120

HEAVY DUTY - HECF1 - SERIES						
24" WIDE	QTY	30" WIDE	QTY	36" WIDE	QTY	LENGTH (INCHES)
HECF1-2424		HECF1-3024		HECF1-3624		24
HECF1-2430		HECF1-3030		HECF1-3630		30
HECF1-2436		HECF1-3036		HECF1-3636		36
HECF1-2442		HECF1-3042		HECF1-3642		42
HECF1-2448		HECF1-3048		HECF1-3648		48
HECF1-2454		HECF1-3054		HECF1-3654		54
HECF1-2460		HECF1-3060		HECF1-3660		60
HECF1-2466		HECF1-3066		HECF1-3666		66
HECF1-2472		HECF1-3072		HECF1-3672		72
HECF1-2478		HECF1-3078		HECF1-3678		78
HECF1-2484		HECF1-3084		HECF1-3684		84
HECF1-2490		HECF1-3090		HECF1-3690		90
HECF1-2496		HECF1-3096		HECF1-3696		96
HECF1-24102		HECF1-30102		HECF1-36102		102
HECF1-24108		HECF1-30108		HECF1-36108		108
HECF1-24114		HECF1-30114		HECF1-36114		114
HECF1-24120		HECF1-30120		HECF1-36120		120

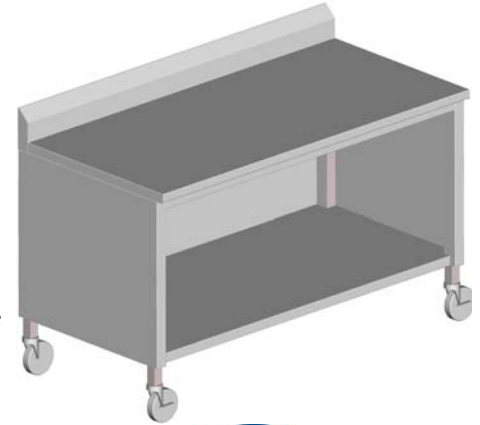
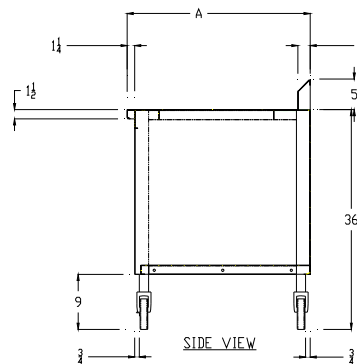
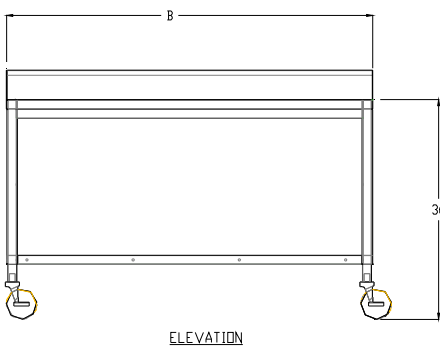
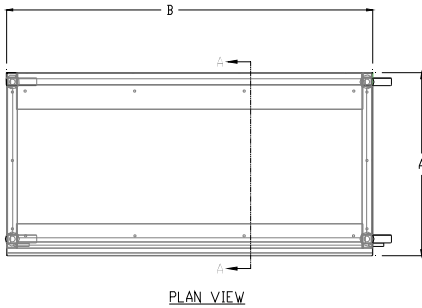
STAINLESS STEEL WORKTABLES

ECF1-SERIES — ENCLOSED WORKTABLE W/ BACKSPLASH, UNDERSHELF & CASTERS

PROJECT#: _____

ITEM# _____

MODEL# _____



◆ Tables At or Above 78" Will Require (3) Sets of Legs.

A WIDTH	B LENGTH	EECF1 - SERIES 16 GA. 400 SERIES S/S TOP & 18 GA. 400 SERIES S/S UNDERSHELF	SECF1 - SERIES 16 GA. 300 SERIES S/S TOP & 18 GA. 300 SERIES S/S UNDERSHELF	HECF1 - SERIES 14 GA. 300 SERIES S/S TOP & 16 GA. 300 SERIES S/S UNDERSHELF	#Of Legs	Product Weight (lbs)
24" WIDE						
24	24	EECF1-2424	SECF1-2424	HECF1-2424	4	96
24	30	EECF1-2430	SECF1-2430	HECF1-2430	4	118
24	36	EECF1-2436	SECF1-2436	HECF1-2436	4	139
24	48	EECF1-2448	SECF1-2448	HECF1-2448	4	166
24	60	EECF1-2460	SECF1-2460	HECF1-2460	4	194
24	72	EECF1-2472	SECF1-2472	HECF1-2472	4	222
24	84	EECF1-2484	SECF1-2484	HECF1-2484	6	249
24	96	EECF1-2496	SECF1-2496	HECF1-2496	6	277
24	108	EECF1-24108	SECF1-24108	HECF1-24108	6	304
24	120	EECF1-24120	SECF1-24120	HECF1-24120	6	332
30" WIDE						
30	24	EECF1-3024	SECF1-3024	HECF1-3024	4	89
30	30	EECF1-3030	SECF1-3030	HECF1-3030	4	113
30	36	EECF1-3036	SECF1-3036	HECF1-3036	4	136
30	48	EECF1-3048	SECF1-3048	HECF1-3048	4	165
30	60	EECF1-3060	SECF1-3060	HECF1-3060	4	195
30	72	EECF1-3072	SECF1-3072	HECF1-3072	4	225
30	84	EECF1-3084	SECF1-3084	HECF1-3084	6	254
30	96	EECF1-3096	SECF1-3096	HECF1-3096	6	284
30	108	EECF1-30108	SECF1-30108	HECF1-30108	6	313
30	120	EECF1-30120	SECF1-30120	HECF1-30120	6	343
36" WIDE						
36	24	EECF1-3624	SECF1-3624	HECF1-3624	4	114
36	30	EECF1-3630	SECF1-3630	HECF1-3630	4	141
36	36	EECF1-3636	SECF1-3636	HECF1-3636	4	167
36	48	EECF1-3648	SECF1-3648	HECF1-3648	4	199
36	60	EECF1-3660	SECF1-3660	HECF1-3660	4	232
36	72	EECF1-3672	SECF1-3672	HECF1-3672	4	265
36	84	EECF1-3684	SECF1-3684	HECF1-3684	6	297
36	96	EECF1-3696	SECF1-3696	HECF1-3696	6	330
36	108	EECF1-36108	SECF1-36108	HECF1-36108	6	362
36	120	EECF1-36120	SECF1-36120	HECF1-36120	6	395